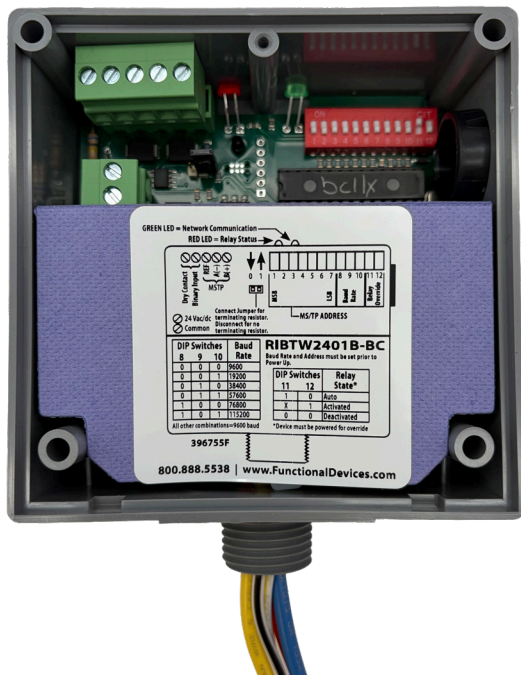


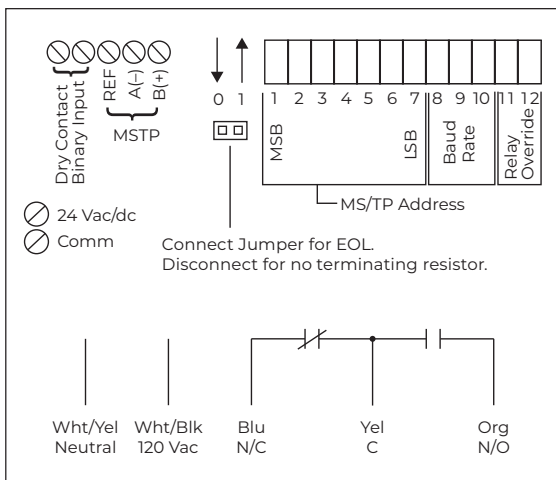
ASHRAE BACnet™ MS/TP Network Relay

RIBTW2401B-BC can be used instead of a more expensive multi-output controller when a few more control points are needed and a large controller is too much for the job.



FEATURES

- Dip switch selectable baud rate
- Powered by 120 Vac or 24 Vac
- On board dry contact input that is a separate object
- 1 discrete DO (20 Amp)
- Attaches to the MS/TP bus as one address
- External LEDs indicate energized relay and network activity



Contact Ratings:

- 20 Amp Resistive @ 277 Vac
- 20 Amp Ballast @ 277 Vac
- 16 Amp Electronic Ballast @ 277 Vac (N/O)
- 10 Amp Tungsten @ 120 Vac (N/O)
- 1110 VA Pilot Duty @ 277 Vac
- 770 VA Pilot Duty @ 120 Vac
- 2 HP @ 277 Vac
- 1 HP @ 120 Vac

Power Input Ratings:

- 81 mA @ 24 Vdc
- 111 mA @ 24 Vac
- 96 mA @ 120 Vac

Power Input:

24 Vac/dc ; 120 Vac ; 50/60 Hz

