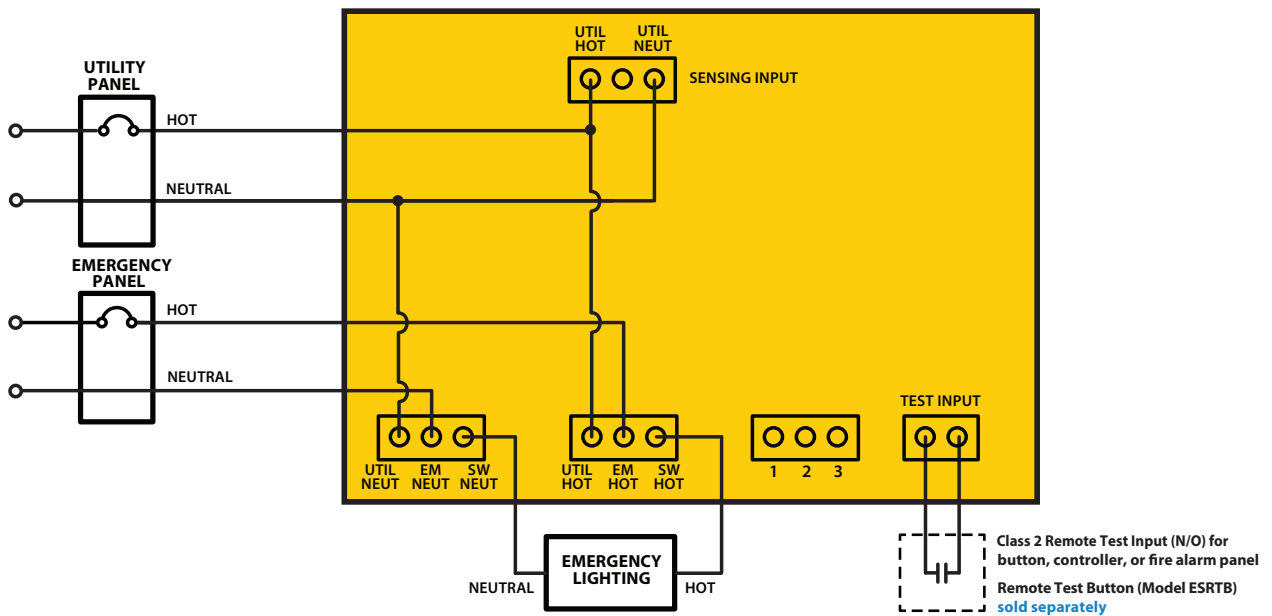
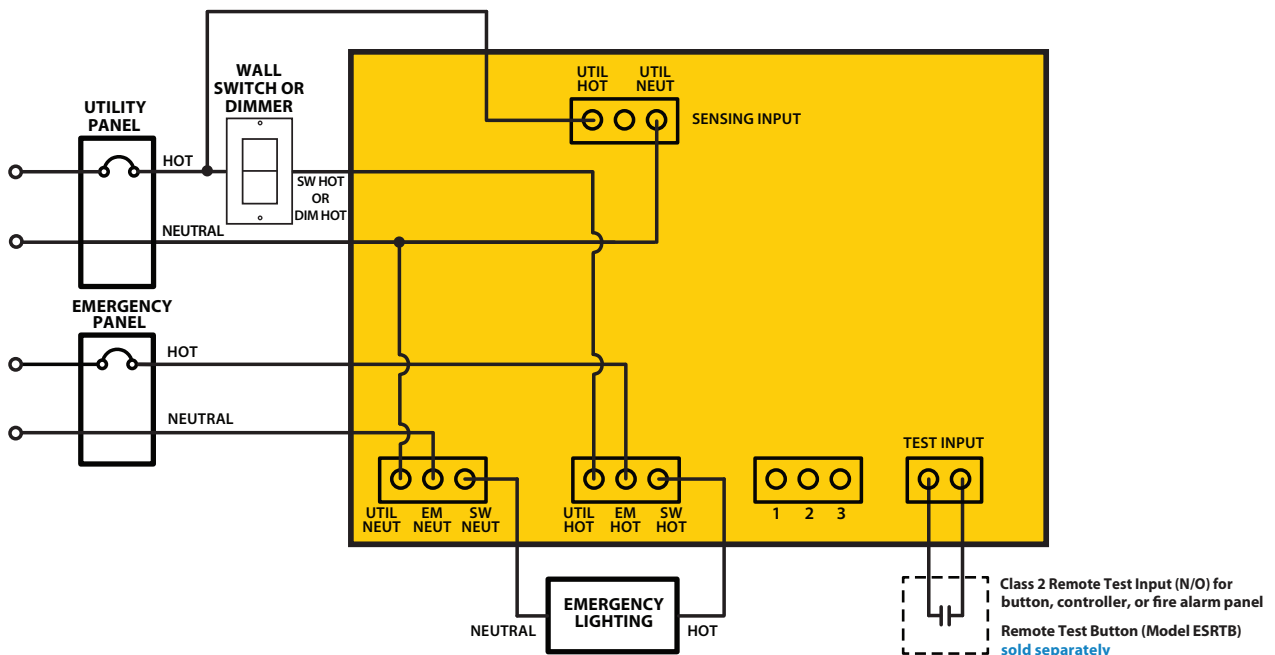


# Application Diagrams

## UL1008 - BASIC TRANSFER APPLICATION

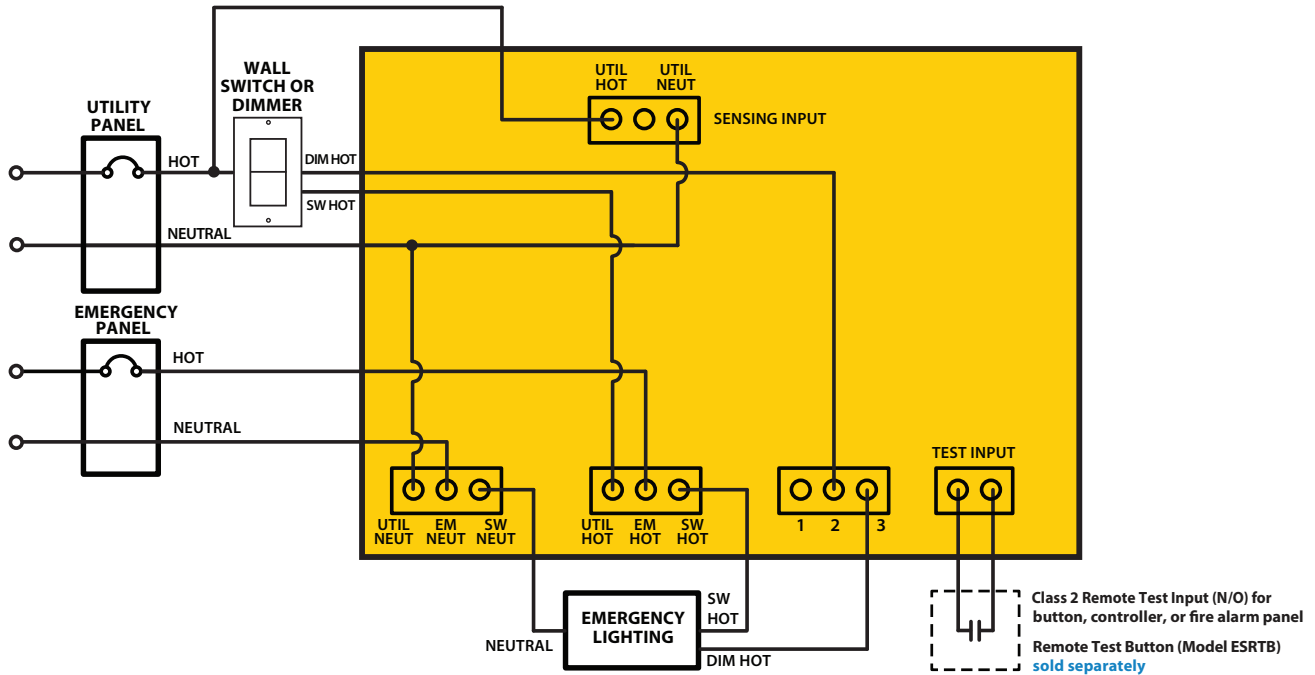


## UL1008 - SWITCH OR 2-WIRE DIMMING APPLICATION

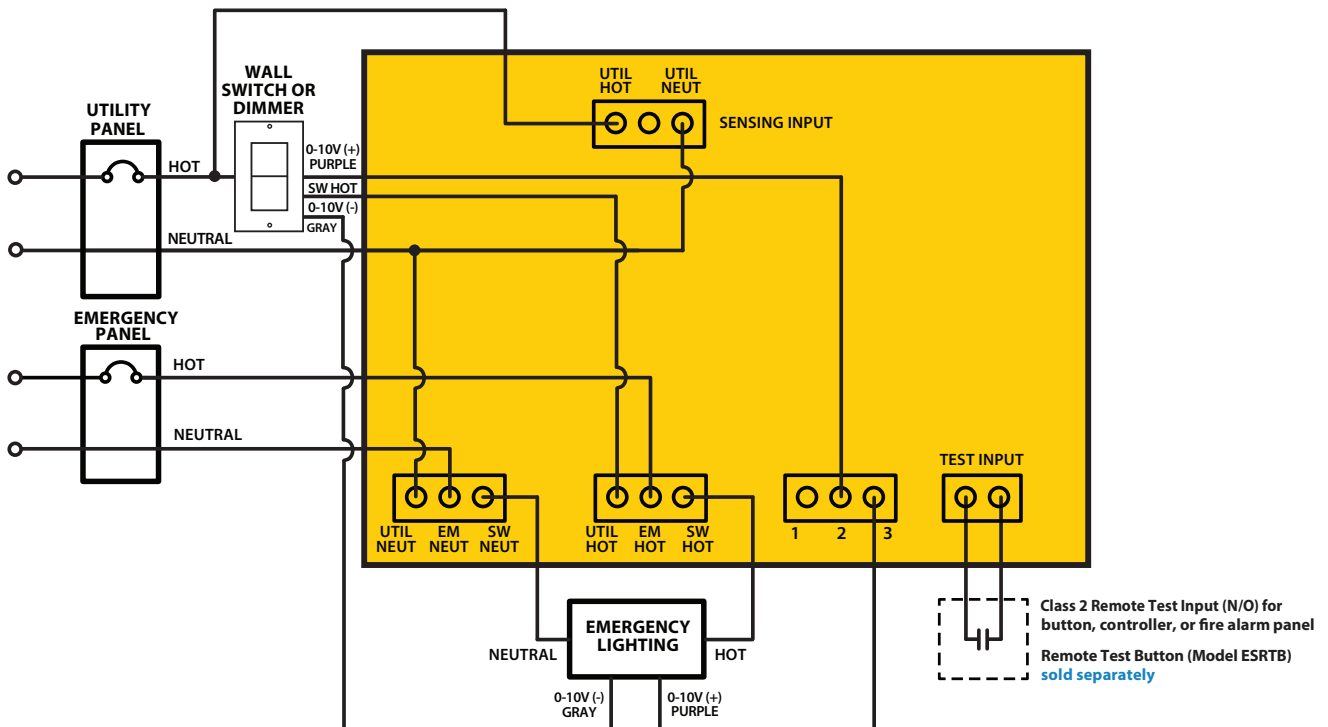


# Application Diagrams

## UL1008 - 3-WIRE DIMMING APPLICATION

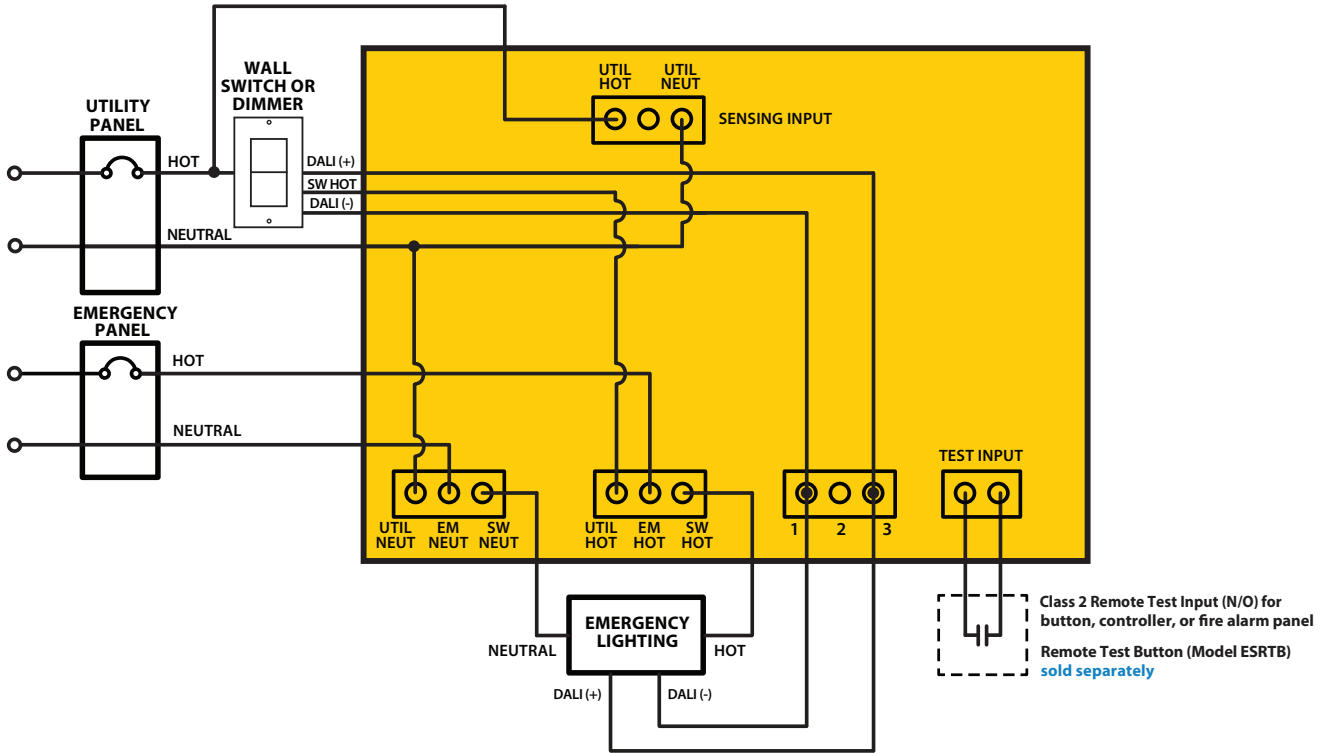


## UL1008 - 4-WIRE (0-10V) DIMMING APPLICATION

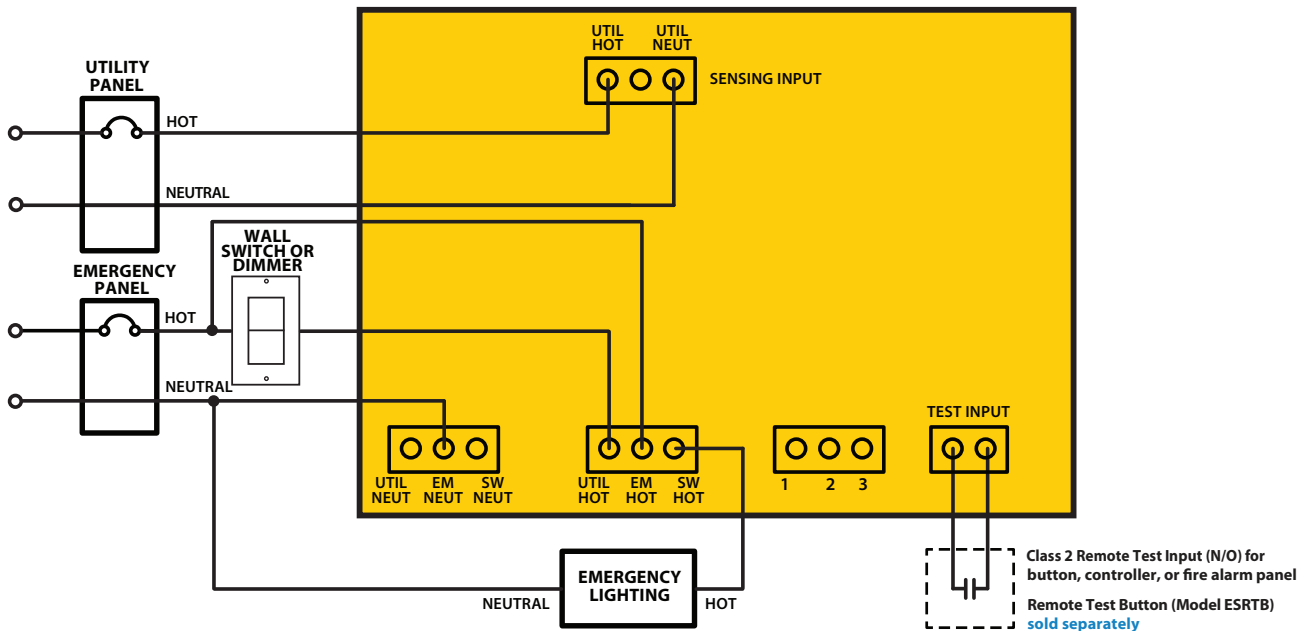


# Application Diagrams

## UL1008 - 4-WIRE (DALI) DIMMING APPLICATION

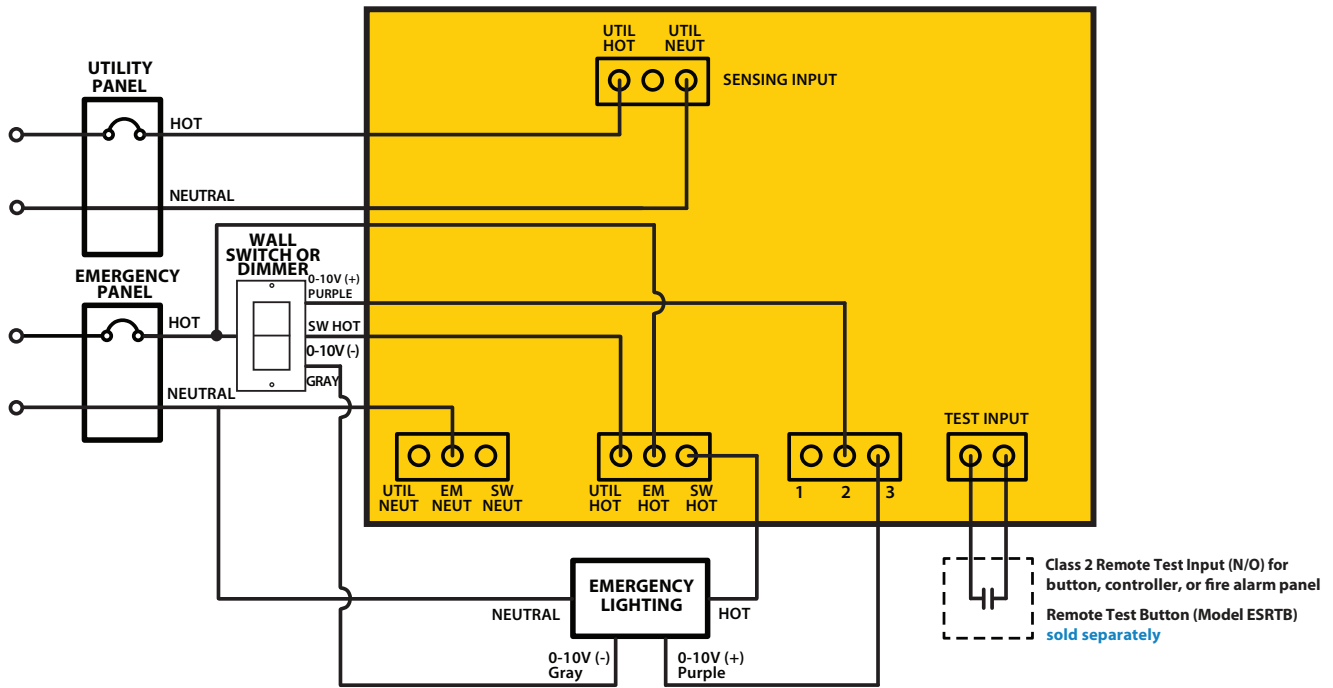


## UL924 - BYPASS APPLICATION



# Application Diagrams

## UL924 - BYPASS WITH 0-10V APPLICATION



## UL924 - BYPASS WITH DALI DIMMING APPLICATION

