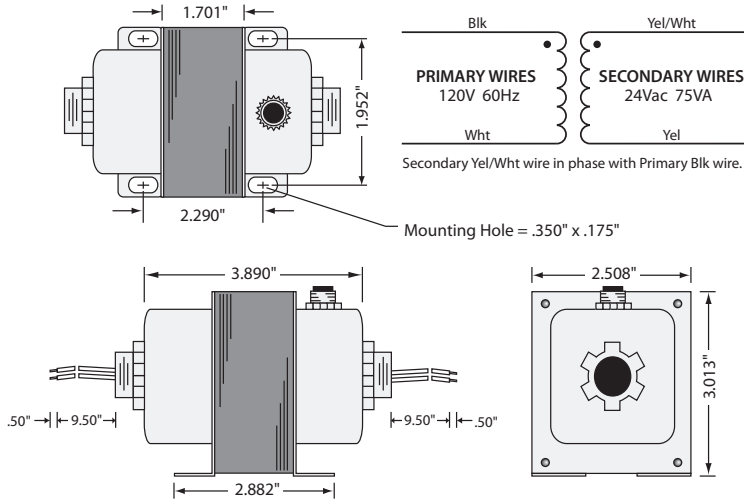


TRANSFORMER

TR75VA002

Transformer 75 VA, 120 to 24 Vac, Circuit Breaker, Foot and Dual Threaded Hub Mount



SPECIFICATIONS

VA Rating: 75
Frequency: 50/60 Hz
Mounting: Foot & Dual Threaded Hubs
Over Current Protection: Circuit Breaker
Operating Temperature: -30 to 140° F

Dimensions: 3.890" x 2.508" x 3.013" (w/ .500" NPT Hubs)
Wire Length: 9.5" Typical w/ .5" Strip
MTBF: 100,000 Hours @ 77° F
Construction: Split-Bobbin
Approvals: Class 2 UL5085-3 Listed, C-UL, CE, RoHS