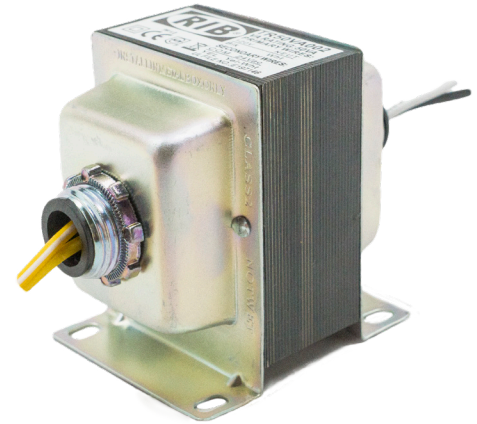
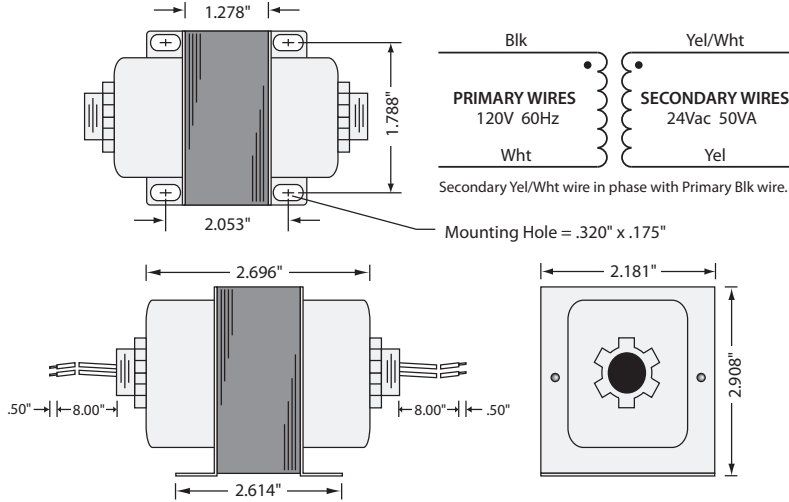


TRANSFORMER

TR50VA002

Transformer 50 VA, 120 to 24 Vac, Foot and Dual Threaded Hub Mount



SPECIFICATIONS

VA Rating: 50
Frequency: 50/60 Hz
Mounting: Foot & Dual Threaded Hubs
Over Current Protection: 3 Amp Fuse (Fuse not field replaceable)
Operating Temperature: -30 to 140° F

Dimensions: 2.696" x 2.181" x 2.908" (w/ .500" NPT Hubs)
Wire Length: 8.0" Typical w/ .5" Strip
MTBF: 100,000 Hours @ 77° F
Construction: Split-Bobbin
Approvals: Class 2 UL5085-3 Listed, C-UL, CE, RoHS