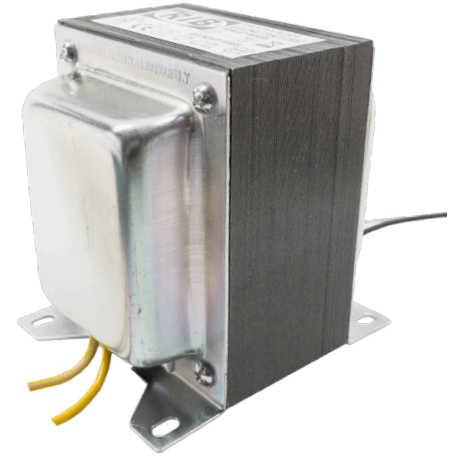
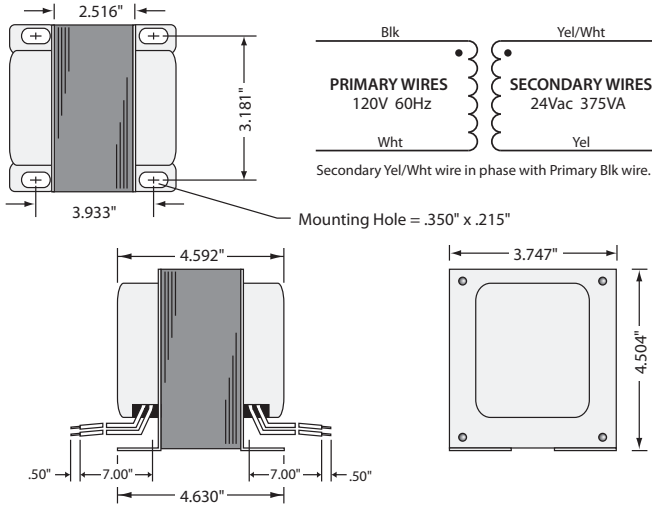


**TRANSFORMER**

**TR375VA001**

Transformer 375 VA, 120 to 24 Vac, Foot Mount, Dual Bottom Openings



**SPECIFICATIONS**

**VA Rating:** 375  
**Frequency:** 50/60 Hz  
**Mounting:** Foot  
**Over Current Protection:** None  
**Operating Temperature:** -30 to 140° F

**Dimensions:** 4.592" x 3.747" x 4.504"  
**Wire Length:** 7.0" Typical w/ .5" Strip  
**MTBF:** 100,000 Hours @ 77° F  
**Construction:** Split-Bobbin  
**Approvals:** UL5085-2 Listed General Purpose, C-UL, CE, RoHS