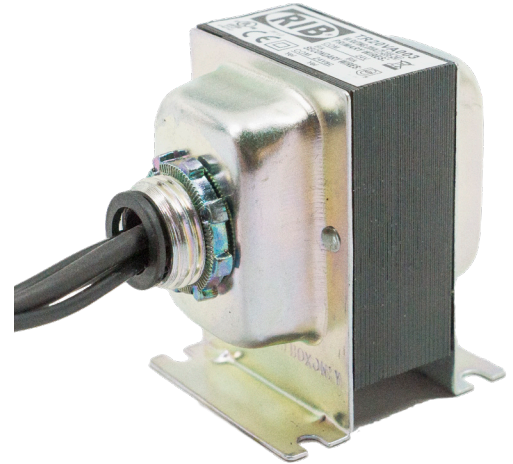
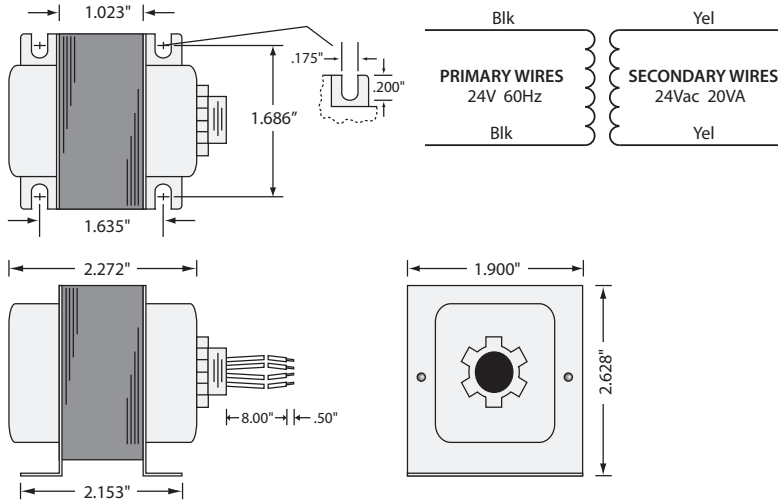


TRANSFORMER

TR20VA003

Transformer 20 VA, 24 to 24 Vac, Foot and Single Threaded Hub Mount



SPECIFICATIONS

VA Rating: 20
Frequency: 50/60 Hz
Mounting: Foot & Single Threaded Hub
Over Current Protection: Inherently Limited
Operating Temperature: -30 to 140° F

Dimensions: 2.272" x 1.900" x 2.628" (w/ .500" NPT Hub)
Wire Length: 8.0" Typical w/ .5" Strip
MTBF: 100,000 Hours @ 77° F
Construction: Split-Bobbin
Approvals: UL5085-2 Listed General Purpose C-UL, CE, RoHS