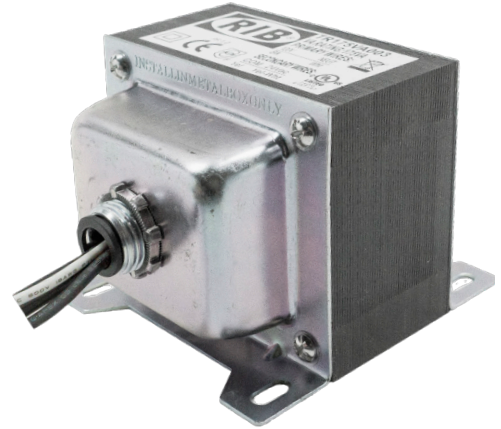
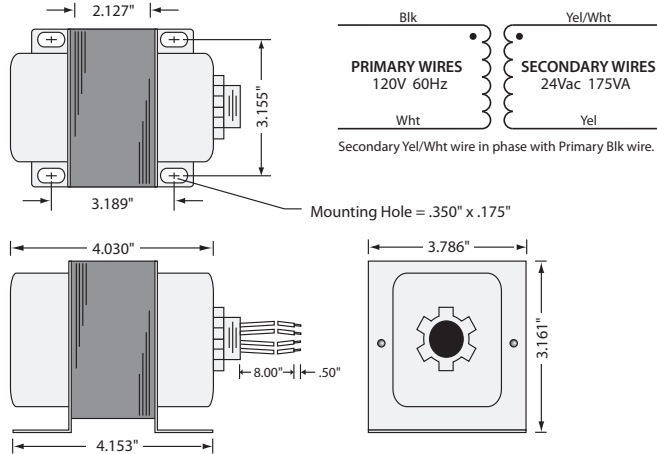


**TRANSFORMER**

**TR175VA003**

Transformer 175 VA, 120 to 24 Vac, Foot and Single Threaded Hub Mount



**SPECIFICATIONS**

**VA Rating:** 175  
**Frequency:** 50/60 Hz  
**Mounting:** Foot & Single Threaded Hub  
**Over Current Protection:** Thermal Fuse on Primary  
**Operating Temperature:** -30 to 140° F

**Dimensions:** 4.030" x 3.786" x 3.161" (w/ .500" NPT Hub)  
**Wire Length:** 8.0" Typical w/ .5" Strip  
**MTBF:** 100,000 Hours @ 77° F  
**Construction:** Split-Bobbin  
**Approvals:** UL5085-2 Listed General Purpose, C-UL, CE, RoHS