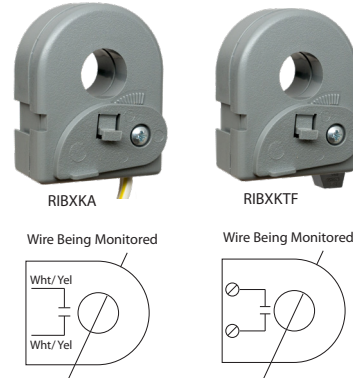
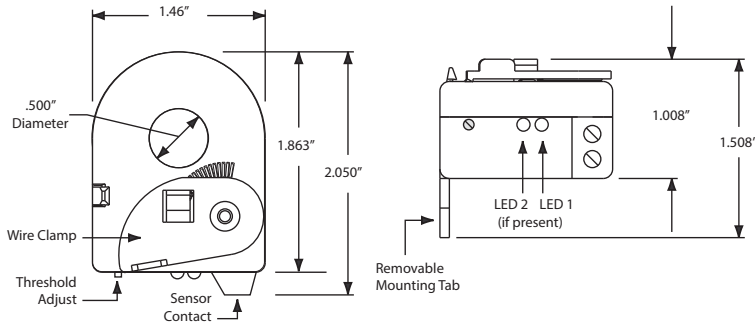


## AC CURRENT SWITCHES

### RIBXK Series

Current Switches, Solid Core, Fixed or Adjustable, Up to 150 Amps Sensing Range, Terminal Strip or Wire Lead Output



## SPECIFICATIONS

**Operating Temperature:** -30 to 140° F

**Humidity Range:** 5 to 95% (noncondensing)

**Max Sense Voltage:** 600 Vac

**Approvals:** UL Listed, C-UL, CE, RoH, UL916, S (All models)

UL864, California State Fire Marshal (RIBXKTF, RIBXKTA)

**Mounting/Installation:** Removable mounting tab provided. The wire clamp locks against the wire being monitored, securing the unit in place.

**Sensor Contact Output:** Current below threshold: Open ; Current above threshold: Closed

**Origin:** Made of US and non-US parts

### Sensor Contact:

- Solid State Contact
- When sensor contact is off (open), leakage <30 uA @ 30Vac/dc
- When sensor contact is on (closed), voltage drop < .3 Vac/dc @ .1 Amp
- < 1.6 Vac/dc @ .4 Amp