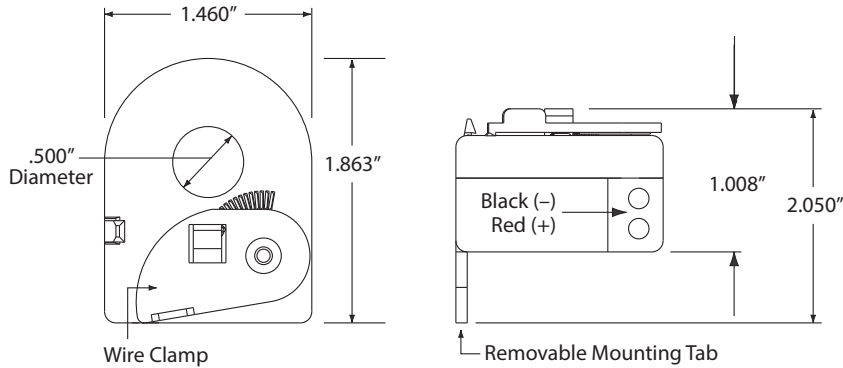


## AC TRANSDUCERS

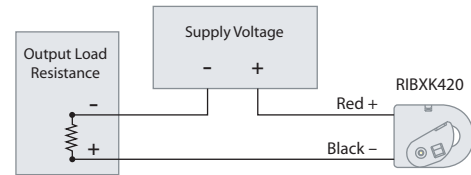
### RIBXK420 Series

Current Transducers, Solid Core, Up to 100 Amps Sensing Range, 4-20 mA Wire Lead Sensor Output



## SPECIFICATIONS

- Operating Temperature:** -30 to 140° F
- Humidity Range:** 5 to 95% (noncondensing)
- Wires:** Red (positive) & Black (negative), 16", 18 AWG, 600V Rated
- Sensor Type:** Internal, with 4-20 mA Transmitter Output
- Sensor Range:** 0-20 Amps, 0-50 Amps, or 0-100 Amps (See Selection Guide Below)
- Accuracy:** 96.4% FS
- Linearity:** 99% FS (25%-100% Span)
- Max Output Current:** 30 mA
- Max Sense Voltage:** 600 Vac
- Approvals:** UL Listed, UL916, C-UL, CE, RoHS
- Mounting/Installation:** Removable mounting tab provided. The wire clamp locks against the wire being monitored, securing the unit in place.
- Origin:** Made of US and non-US parts



### RIBXK420 SERIES SELECTION GUIDE

Model#	Sensing Range	Sensor Output
RIBXK420-20	0-20 Amps	Loop Powered 4-20 mA Transmitter (Pre-Wired)
RIBXK420-50	0-50 Amps	Loop Powered 4-20 mA Transmitter (Pre-Wired)
RIBXK420-100	0-100 Amps	Loop Powered 4-20 mA Transmitter (Pre-Wired)

OUTPUT LOAD RESISTANCE	SUPPLY VOLTAGE	
	Minimum	Maximum
700 ohms	26 Vdc	35 Vdc
600 ohms	24 Vdc	35 Vdc
500 ohms	21 Vdc	35 Vdc
400 ohms	19 Vdc	30 Vdc
300 ohms	17 Vdc	30 Vdc
250 ohms	16 Vdc	28 Vdc
200 ohms	14 Vdc	28 Vdc
100 ohms	12 Vdc	28 Vdc
50 ohms	11 Vdc	28 Vdc