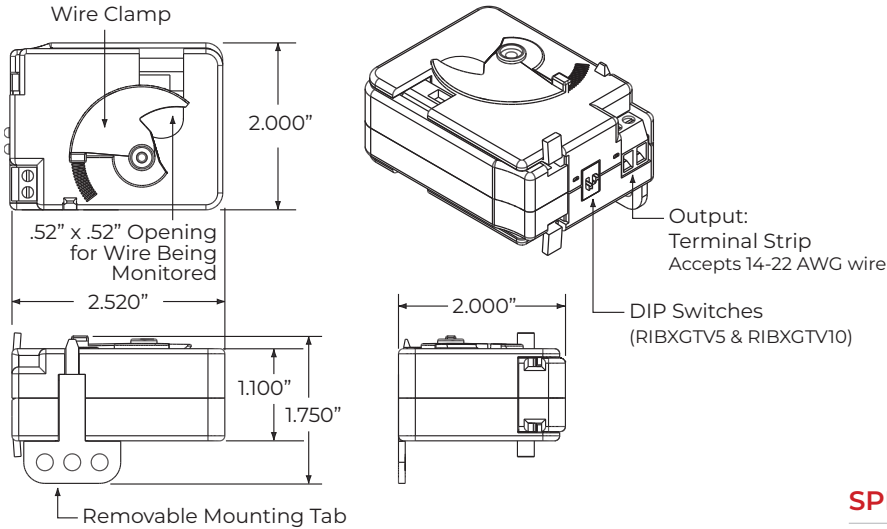


AC CURRENT SWITCHES

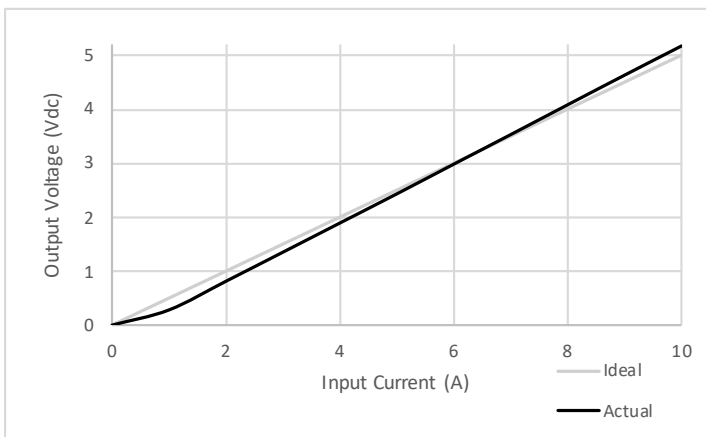
RIBXGTV SERIES

Current Switches, Split Core, 0-10A or Multi-Range, 0-5 Vdc or 0-10 Vdc Terminal Output



OUTPUT VOLTAGE

(RIBXGTV5-10)



SPECIFICATIONS

Operating Temperature	-30 to 140° F
Humidity Range	5 to 95% (noncondensing)
Max Sense Voltage	600 Vac
Mounting/Installation	Removable mounting tab provided. The wire clamp locks against the wire being monitored, securing the unit in place.
Sensor Type	Split Core with Voltage Output
Origin	Made of US and non-US parts
Approvals	UL Listed, UL916, UL864, C-UL, CE, RoHS, California State Fire Marshal

DIP SWITCHES

(RIBXGTV5 & RIBXGTV10)

1	2	Sensing Range
OFF	OFF	0-20 Amps
OFF	ON	0-50 Amps
ON	OFF	0-100 Amps

SELECTION GUIDE

Model #	Accuracy	Loading	Sensing Range	Terminal Output
RIBXGTV5	98.3% Full Scale	0-20 Amps: 5% Error @ 33 kΩ 0-50 Amps: 5% Error @ 15 kΩ 0-100 Amps: 5% Error @ 6.8 kΩ	0-20 Amps, 50 Amps, 100 Amps	0-5 Vdc
RIBXGTV10	98.8% Full Scale	0-20 Amps: 5% Error @ 60.4 kΩ 0-50 Amps: 5% Error @ 25.24 kΩ 0-100 Amps: 5% Error @ 13.65 kΩ	0-20 Amps, 50 Amps, 100 Amps	0-10 Vdc
RIBXGTV5-10	98.3% Full Scale	5% Error @ 58 kΩ	0-10 Amps	0-5 Vdc