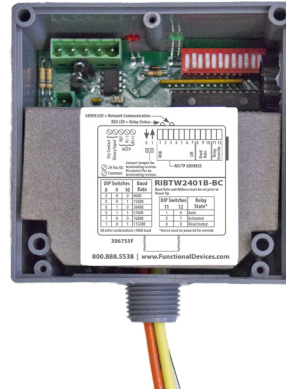
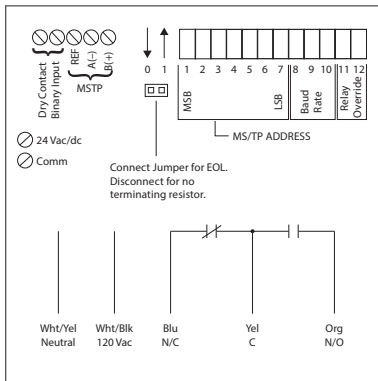


INTELLIGENT FIELD DEVICE

RIBTW2401B-BC

BACnet MS/TP Network Relay Device, One Binary Output + Override, One Binary Input, 24 Vac/dc/120 Vac Power Input, NEMA 1 Housing



SPECIFICATIONS

Relays & Contact Type: One (1) SPDT Continuous Duty Coil
Expected Relay Life: 10 million cycles minimum mechanical

Operating Temperature: -30 to 140° F

Humidity Range: 5 to 95% (noncondensing)

Operate Time: 18ms

Green LED: Network Communication

Red LED: Relay Status

Dimensions: 4.00"H x 4.00"W x 1.81"D with 0.50" NPT nipple

Housing Detail: See **Housing C** in housing guide for dimensions

Origin: Made of US and non-US parts

Wires: 16", 600V Rated

Approvals: CE, UL Listed, UL916, C-UL, RoHS

Housing Rating: UL Accepted for Use in Plenum, NEMA 1

Gold Flash: No

Relay Override Switch: DIP Switch Control

Network Media: Twisted Pair 22-24AWG, shielded recommended

Terminations: Functional Devices product installed at both ends of the MS/TP network – Use 120 Ω end of line resistors. All other cases – Follow instructions from the device installed at the end of the MS/TP network.

Polarity: Network is polarity sensitive

Baud Rate: 9600, 19200, 38400, 57600, 76800, 115200 (DIP Switch Selectable)

Contact Ratings:

- 20 Amp Resistive @ 277 Vac
- 20 Amp Ballast @ 277 Vac
- 16 Amp Electronic Ballast @ 277 Vac (N/O)
- 10 Amp Tungsten @ 120 Vac (N/O)
- 1110 VA Pilot Duty @ 277 Vac
- 770 VA Pilot Duty @ 120 Vac
- 2 HP @ 277 Vac
- 1 HP @ 120 Vac

Power Input Ratings:

- 81 mA @ 24 Vdc
- 111 mA @ 24 Vac
- 96 mA @ 120 Vac

Power Input:

24 Vac/dc ; 120 Vac ; 50/60 Hz

Notes:

- When connecting 24 Vac to both the RIB(s) and a half-wave device, damage to device can occur.
- Option 1: Use separate transformers for each device.
- Option 2: Add diode between devices, see Option 2 note below. ^^

BACnet® Details:

- MS/TP Address & Baud Rate must be set prior to power up via DIP switches.
- Device ID will default to 277XXX where XXX is the MS/TP Address.

Examples:

MS/TP Address - 004

Device ID - 277004

MS/TP Address - 121

Device ID - 277121

- Device ID can be changed via network command. Once changed, it will no longer default to 277XXX. (MS/TP Address & Device ID must be unique.)
- This model utilizes: BO 1 (Relay output), BI 1 (Dry contact binary input).
- Device Instance changed via Object Identifier Property of Device Object
- PIC Statement available on website.

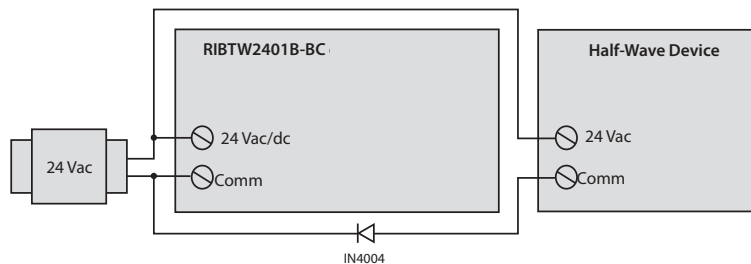
DIP SWITCHES*			BAUD RATE
8	9	10	
0	0	0	9600
0	0	1	19200
0	1	0	38400
0	1	1	57600
1	0	0	76800
1	0	1	115200

All other combinations=9600 baud

DIP SWITCHES*		RELAY STATE**
11	12	
1	0	Auto
X	1	Override on
0	0	Override off

* 0 = Open ; 1 = Closed

** Device must be powered for override



^^ Option 2: Add diode on 24 Vac power (Comm) interconnection between devices. Band on diode faces towards RIB(s).

- Dry contact binary input is a general purpose input that is not tied to the relay internally. Can be used with any dry contact switching device, such as a current sensor, to report back to the network.