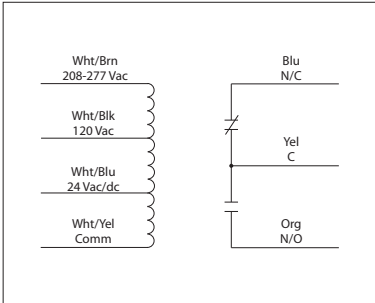


20 AMP POWER CONTROL RELAYS

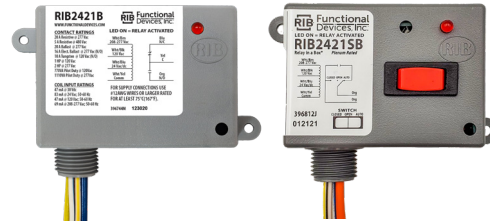
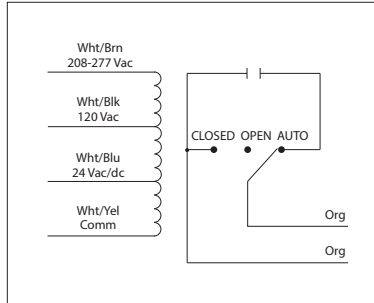
RIB2421B

Power Relay, 20 Amp SPDT,
 24 Vac/dc/120 Vac/208-277 Vac Coil,
 NEMA 1 Housing



RIB2421SB

Power Relay, 20 Amp SPST-N/O + Override,
 24 Vac/dc/208-277 Vac/120 Vac Coil,
 NEMA 1 Housing



SPECIFICATIONS

- # Relays & Contact Type:** One (1) SPDT Continuous Duty Coil (RIB2421B)
 One (1) SPST Continuous Duty Coil (RIB2421SB)
- Expected Relay Life:** 10 million cycles minimum mechanical
- Operating Temperature:** -30 to 140° F
- Humidity Range:** 5 to 95% (noncondensing)
- Operate Time:** 18ms
- Relay Status:** LED On = Activated
- Dimensions:** 2.390"H x 3.310"W x 1.810"D with .50" NPT Nipple
- Housing Detail:** See **Housing B** in housing guide for dimensions
- Origin:** Made of US and non-US parts
- Wires:** 16", 600V Rated
- Approvals:** UL Listed, UL916, C-UL, CE, RoHS
- Housing Rating:** UL Accepted for Use in Plenum, NEMA 1
- Gold Flash:** No
- Override Switch:** Yes (RIB2421SB)
 No (RIB2421B)

Contact Ratings:

- 20 Amp Resistive @ 277 Vac
- 5 Amp Resistive @ 480 Vac
- 20 Amp Ballast @ 277 Vac
- 16 Amp Electronic Ballast @ 277 Vac (N/O) (RIB2421SB)
- Not rated for Electronic Ballast (RIB2421SB)*
- 10 Amp Tungsten @ 120 Vac (N/O)
- 770 VA Pilot Duty @ 120 Vac
- 1,110 VA Pilot Duty @ 277 Vac
- 2 HP @ 277 Vac
- 1 HP @ 120 Vac

Coil Current:

- 83 mA @ 24 Vac
- 47 mA @ 120 Vac
- 69 mA @ 208-277 Vac
- 47 mA @ 30 Vdc

Coil Voltage Input:

- 24 Vac/dc ; 208-277 Vac ;
- 120 Vac ; 50-60 Hz
- Drop Out = 2.1 Vac / 3.8 Vdc
- Pull In = 18 Vac / 22 Vdc

Notes:

- Order RIB2421SB Normally Closed by adding "-NC" to end of model number