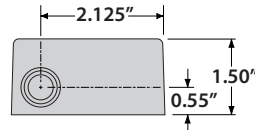
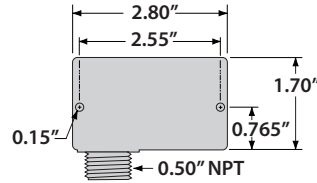
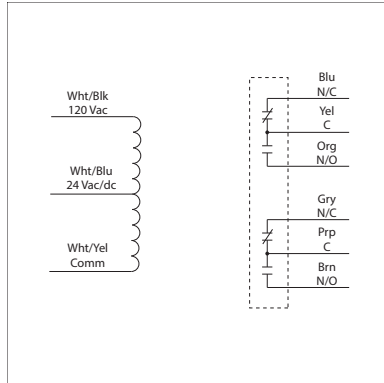


10 AMP PILOT CONTROL RELAY

RIB2401D

Pilot Relay, 10 Amp DPDT, 24 Vac/dc/120 Vac Coil, NEMA 1 Housing



RIB2401D-N4



RIB2401D-RD

SPECIFICATIONS

- # Relays & Contact Type:** One (1) DPDT Continuous Duty Coil
- Expected Relay Life:** 10 million cycles minimum mechanical
- Operating Temperature:** -30 to 140° F
- Humidity Range:** 5 to 95% (noncondensing)
- Operate Time:** 8ms
- Relay Status:** LED On = Activated
- Dimensions:** 1.70"H x 2.80"W x 1.50"D with 0.50" NPT hub
- Origin:** Made of US and non-US parts
- Wires:** 16", 600V Rated
- Approvals:** UL Listed, C-UL, CE, RoHS (All models)
UL916 (RIB2401D, RIB2401D-RD)
UL864, California State Fire Marshal (RIB2401D-RD)
UL508 (RIB2401D-N4)
- Housing Rating:** UL Accepted for Use in Plenum, NEMA 1
- Gold Flash:** No
- Override Switch:** No

- Coil Current:**
24 mA @ 18 Vac
32 mA @ 24 Vac
40 mA @ 30 Vac
31 mA @ 120 Vac
20 mA @ 20 Vdc
24 mA @ 24 Vdc
36 mA @ 30 Vdc

- Coil Voltage Input:**
24 Vac/dc ; 120 Vac ; 50-60 Hz
Drop Out = 3 Vac / 3.8 Vdc
Pull In = 18 Vac / 20 Vdc

- Contact Ratings:**
10 Amp Resistive @ 30 Vdc
10 Amp General Use @ 277 Vac
1/2 HP @ 120/240 Vac (N/O)
1/3 HP @ 120/240 Vac (N/C)
B300 Pilot Duty
120 Vac 30A Make 3A Break (360 VA) 240 Vac 15 A Make 1.5A Break (360 VA)
208 Vac 17.3A Make 1.73A Break (360 VA)
277 Vac 13A Make 1.3A Break (360 VA)
24 Vac 30A Make 5A Break (120VA) 5A Max