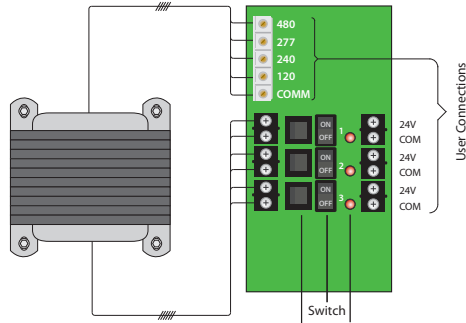


AC POWER SUPPLIES

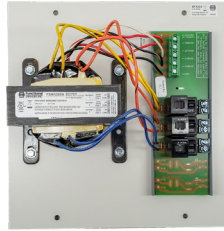
PSH300A

300 VA Power Supply, Three 100 VA Class 2 Outputs, 480/277/240/120 Vac to 24 Vac, Metal Enclosure



PSMN300A

300 VA Power Supply, Three 100 VA Class 2 Outputs, 480/277/240/120 Vac to 24 Vac, Polymetal Subpanel Pre-Mounted



PSMN300A



PSH300A
Shown Without Cover



PSH300A
Shown Without Cover



SPECIFICATIONS

Transformer: One (1) 300 VA
Over Current Protection: Circuit Breaker
Primary: 480/277/240/120 Vac
Frequency: 50/60 Hz
Dimensions: 12.125" H x 12.125" W x 6.000" D (PSH300A)
 11.330" H x 11.400" W x 5.000" D (PSMN300A)
Origin: Made of US and non-US parts
Approvals: Class 2 (UL Approved UL5085-3), UL916, C-UL, CE, RoHS, Special
 ▲ Seismic Certification of Equipment and Components: OSP-0201-10
Housing: NEMA1 Metal Enclosure (PSH300A)
Sub-Panel: Plenum Rated Polymetal (PSMN300A)
Notes: • To order UL508, add "-IC" to end of model number.
 • Primary voltage terminal cover available.
 • Design is in accordance with ASCE 7-05 Chapter 13: ▲ <https://hcai.ca.gov/wp-content/uploads/2020/10/OSP-0201.pdf>
 • Consult factory for OSP labeling

3 Secondaries:
 24 Vac, with LED Indicators
 4 Amp breaker for each output
24 Vac ON/OFF:
 On / Off Switch & Breaker
Input:
 480/277/240/120 Vac Finger-Safe Terminals, 8-18 AWG
Output:
 3 Ungrounded, Isolated, 100 VA, Class 2, 24 Vac Outputs. Terminals accept 12-26 AWG wire.

Ambient Temperature Derating:
 4A up to 40° C ; 3A up to 50° C ; 2A up to 55° C
 (When All 3 Outputs Operated Simultaneously)

- With 120 Vac primary input voltage
- When all 3 outputs operated simultaneously, at room temperature

Standby Wattage:
 16.61 W @ 120 Vac
 17.70 W @ 240 Vac
 16.26 W @ 277 Vac
 19.20 W @ 480 Vac
Full Load Primary Current:
 2.66 A @ 120 Vac
 1.36 A @ 240 Vac
 1.18 A @ 277 Vac
 0.68 A @ 480 Vac
Secondary Output Voltage vs. Load:
 24.5 V @ 1 Amp
 23.5 V @ 2 Amp
 22.8 V @ 3 Amp
 22.3 V @ 4 Amp