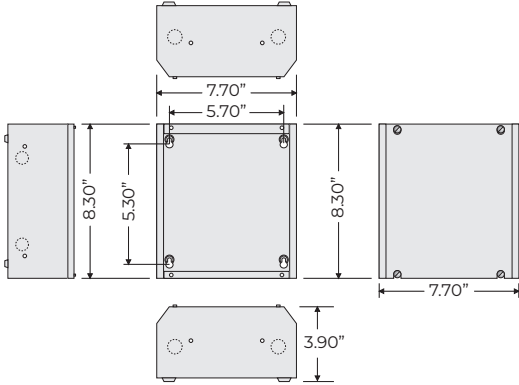


## ENCLOSURE

### MH1200 SERIES

Metal Housing, NEMA 1, 8.3" H x 7.7" W x 3.9" D



### SPECIFICATIONS

<b>Construction</b>	18 Gauge Steel
<b>Cover Type</b>	Screw Down Cover
<b>Approvals</b>	UL Listed, C-UL, CE, RoHS
<b>Origin</b>	Made of US and non-US parts

### SELECTION GUIDE

Model #	Enclosure	Mounting Track
MH1200	MH1200	-
MH1210	MH1200	MT4-8 (4.00" W x 8" L)
MH1220	MH1200	MT212-8 (2.75" W x 8" L)

### NOTE

Consult factory for custom colors on large orders.