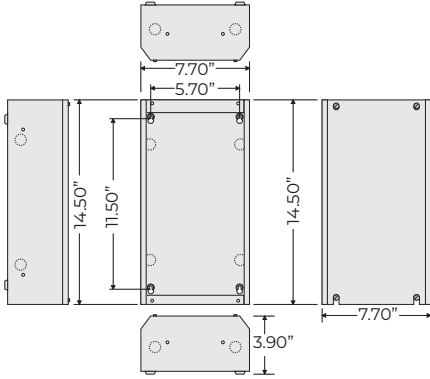


ENCLOSURE

MH1000 SERIES

Metal Housing Series, NEMA 1, 14.5" H x 7.7" W x 3.9" D



SPECIFICATIONS

| | |
|---------------------|-----------------------------|
| Construction | 18 Gauge Steel |
| Cover Type | Screw Down Cover |
| Approvals | UL Listed, C-UL, CE, RoHS |
| Origin | Made of US and non-US parts |

SELECTION GUIDE

| Model # | Enclosure | Mounting Track |
|---------|-----------|----------------------------|
| MH1000 | MH1000 | - |
| MH1010 | MH1000 | MT4-12 (4.00" W x 12" L) |
| MH1020 | MH1000 | MT212-12 (2.75" W x 12" L) |

NOTE

Consult factory for custom colors on large orders.