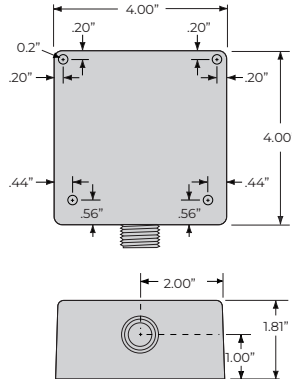
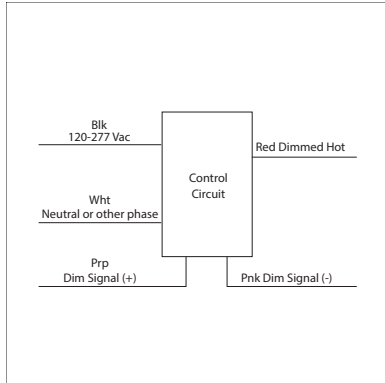


0-10V CONTROLLED PHASE ANGLE DIMMER

LR21F600

Phase Angle Dimmer, 0-10 Vdc Input, 120-277 Vac Power Input, 600W @ 120 Vac, 1300W @ 277 Vac Rated, Dimming Mode Selectable, NEMA 1 Housing



SPECIFICATIONS

PATENT PENDING

- Operating Temperature:** -30 to 122 F
- Humidity Range:** 5 to 95% (noncondensing)
- Red LED:** Power Status
- Dimensions:** 4.00" H x 4.00" W x 1.81" D with 0.50" NPT hub
- Origin:** Made of US and non-US parts
- Wires:** 16", 600V rated
- Approvals:** Class 2 UL Listed, UL916, C-UL, RoHS
- Housing Rating:** UL Accepted, NEMA 1
- Max Lighting Load:** 600W @ 120Vac, 1300W @ 277Vac, Incandescent/Halogen
Recommended 50% derating for other dimmable lighting loads
- Min Lighting Load:** 1W
- Dim to off:** Yes
- Selectable Dimming Mode:** Yes
- Selectable Low Dim Threshold:** Yes
- Power Input Ratings:** 10mA @ 120-277 Vac; 60Hz
- 0-10V Input Current Source:** 1mA maximum per IEC Standard 60929 Annex E

Notes:

Switch on unit will change dimming between leading or trailing edge. Requires power cycle.

Purple & pink wires are used with both Current Sink 0-10V controllers and Current Source 0-10V controllers. The LR21F600 will automatically detect the controller type.

"Low Dim Threshold" set with push button during operation. Pressing and holding the button for one second will log the present 0-10V value and turn off the load when 0-10V signal drops below that value.

To reset "Low Dim Threshold", short together or send 0V to Purple & Pink. Then press and hold the button for 1 second.

The above method will set the "Low Dim Threshold" to the minimum value. However, factory default "Low Dim Threshold" is set slightly above this mark. Some lighting fixtures flicker at very low values.

For use with 60Hz only.

Not for use with Magnetic Low Voltage (MLV) loads.

TYPICAL APPLICATION

