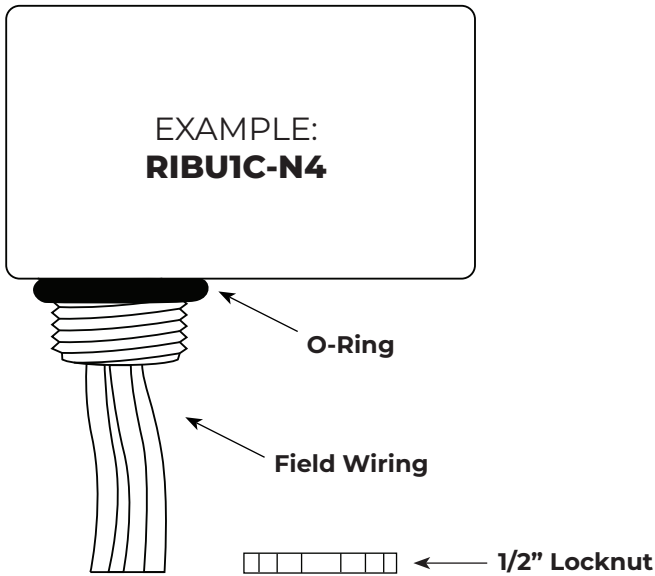


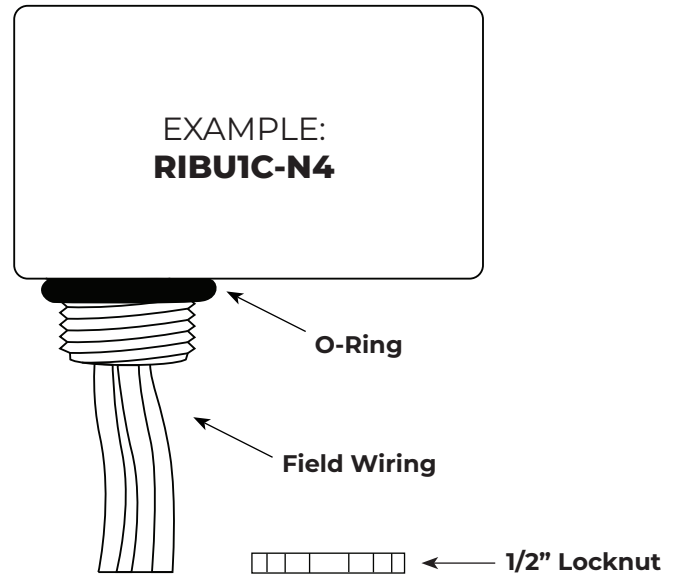
101 Commerce Drive | Sharpsville, IN 46068  
800-888-5538 | support@functionaldevices.com

**NEMA 4/4X Rated Enclosed Relay Installation Instructions for -N4 Option**



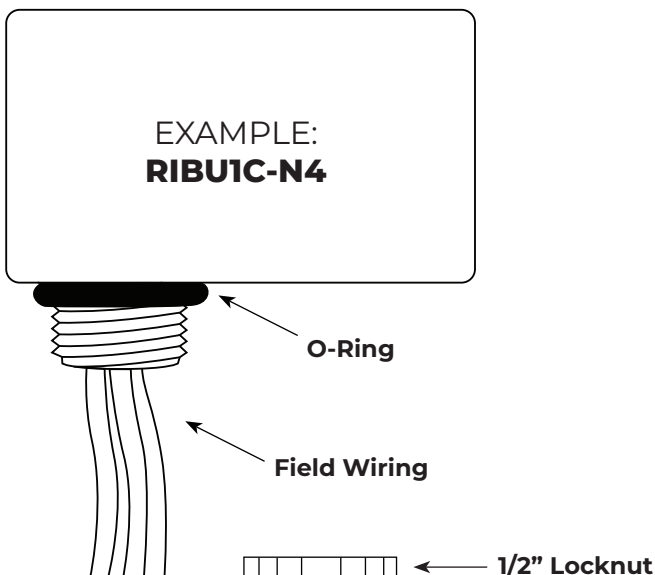
101 Commerce Drive | Sharpsville, IN 46068  
800-888-5538 | support@functionaldevices.com

**NEMA 4/4X Rated Enclosed Relay Installation Instructions for -N4 Option**



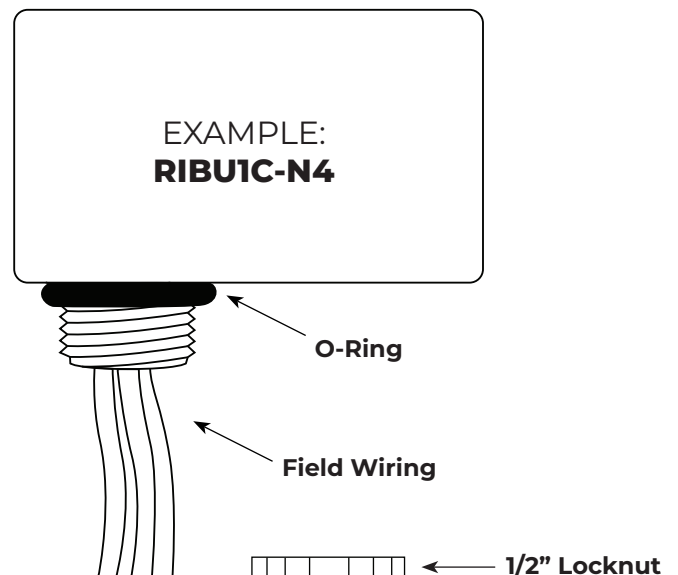
101 Commerce Drive | Sharpsville, IN 46068  
800-888-5538 | support@functionaldevices.com

**NEMA 4/4X Rated Enclosed Relay Installation Instructions for -N4 Option**



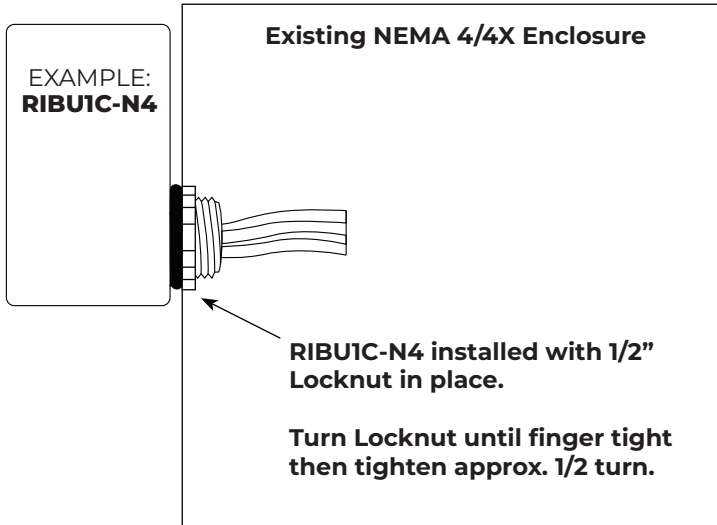
101 Commerce Drive | Sharpsville, IN 46068  
800-888-5538 | support@functionaldevices.com

**NEMA 4/4X Rated Enclosed Relay Installation Instructions for -N4 Option**



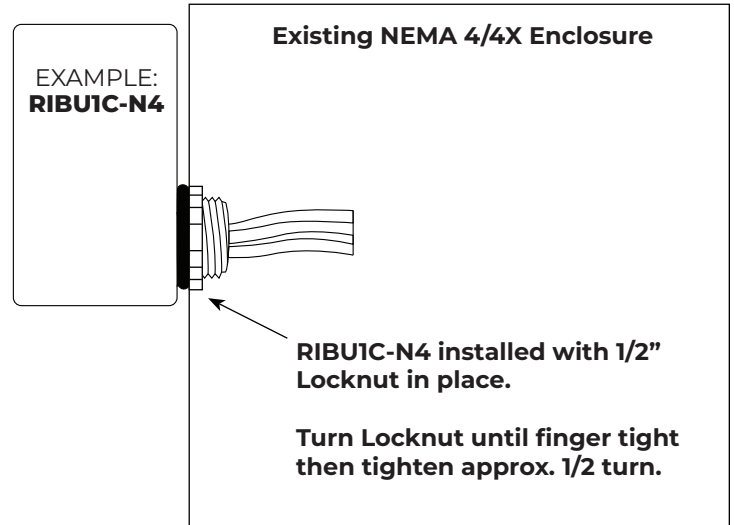
101 Commerce Drive | Sharpsville, IN 46068  
800-888-5538 | support@functionaldevices.com

### **NEMA 4/4X Rated Enclosed Relay Installation Instructions for -N4 Option**



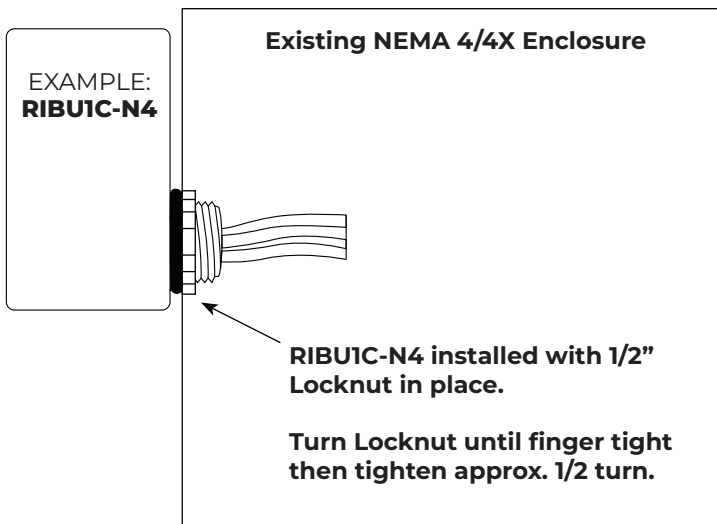
101 Commerce Drive | Sharpsville, IN 46068  
800-888-5538 | support@functionaldevices.com

### **NEMA 4/4X Rated Enclosed Relay Installation Instructions for -N4 Option**



101 Commerce Drive | Sharpsville, IN 46068  
800-888-5538 | support@functionaldevices.com

### **NEMA 4/4X Rated Enclosed Relay Installation Instructions for -N4 Option**



101 Commerce Drive | Sharpsville, IN 46068  
800-888-5538 | support@functionaldevices.com

### **NEMA 4/4X Rated Enclosed Relay Installation Instructions for -N4 Option**

