

- RIBMNWX2401B-BC
- RIBTWX2401B-BC

App. Version 1.1

DIP Switches	Baud Rate
8 9 10	
0 0 0	9600
0 0 1	19200
0 1 0	38400
0 1 1	57600
1 0 0	76800
1 0 1	115200

All other combinations=9600 baud

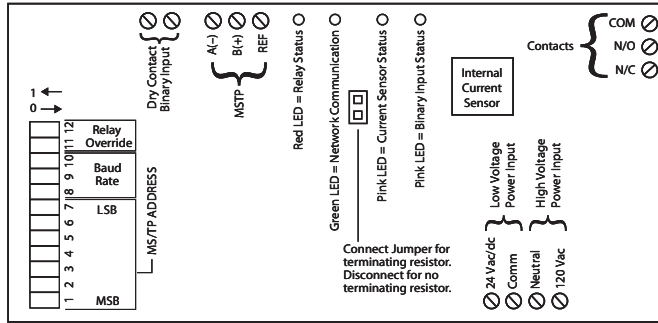
DIP Switches	Relay State*
11 12	
1 0	Auto
X 1	Activated
0 0	Deactivated

*Device must be powered for override

www.FunctionalDevices.com • 800.888.5538 • PICS available on our website.

FOR SUPPLY CONNECTIONS USE #12AWG WIRES OR LARGER RATED FOR AT LEAST 75°C(167°F).

CAUTION: RISK OF ELECTRIC SHOCK - MORE THAN ONE DISCONNECT MAY BE REQUIRED TO DEENERGIZE THE DEVICE BEFORE SERVICING.



CONTACT RATINGS

- 20A Resistive @ 277 Vac
- 20A Ballast @ 277 Vac
- 16A Elect. Ball. @ 277 Vac (N/O)
- 10A Tungsten @ 120 Vac (N/O)
- 1110 VA Pilot Duty @ 277 Vac
- 770 VA Pilot Duty @ 120 Vac
- 2 HP @ 277 Vac
- 1 HP @ 120 Vac

POWER INPUT RATINGS

- 24 Vac, 105mA Max
- 120 Vac, 105mA Max

CURRENT SENSE RANGE

- 0.25–20 Amps



- RIBMNWX2401B-BC
- RIBTWX2401B-BC

App. Version 1.1

DIP Switches	Baud Rate
8 9 10	
0 0 0	9600
0 0 1	19200
0 1 0	38400
0 1 1	57600
1 0 0	76800
1 0 1	115200

All other combinations=9600 baud

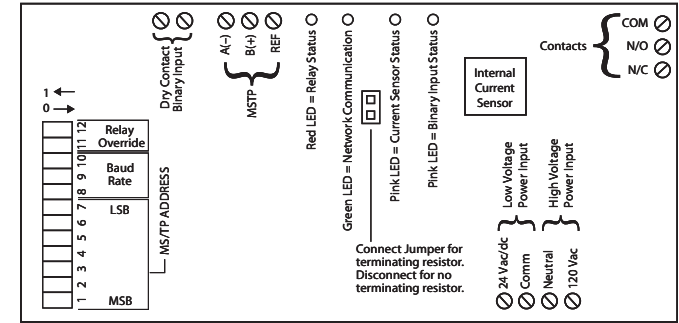
DIP Switches	Relay State*
11 12	
1 0	Auto
X 1	Activated
0 0	Deactivated

*Device must be powered for override

www.FunctionalDevices.com • 800.888.5538 • PICS available on our website.

FOR SUPPLY CONNECTIONS USE #12AWG WIRES OR LARGER RATED FOR AT LEAST 75°C(167°F).

CAUTION: RISK OF ELECTRIC SHOCK - MORE THAN ONE DISCONNECT MAY BE REQUIRED TO DEENERGIZE THE DEVICE BEFORE SERVICING.



CONTACT RATINGS

- 20A Resistive @ 277 Vac
- 20A Ballast @ 277 Vac
- 16A Elect. Ball. @ 277 Vac (N/O)
- 10A Tungsten @ 120 Vac (N/O)
- 1110 VA Pilot Duty @ 277 Vac
- 770 VA Pilot Duty @ 120 Vac
- 2 HP @ 277 Vac
- 1 HP @ 120 Vac

POWER INPUT RATINGS

- 24 Vac, 105mA Max
- 120 Vac, 105mA Max

CURRENT SENSE RANGE

- 0.25–20 Amps



- RIBMNWX2401B-BC
- RIBTWX2401B-BC

App. Version 1.1

DIP Switches	Baud Rate
8 9 10	
0 0 0	9600
0 0 1	19200
0 1 0	38400
0 1 1	57600
1 0 0	76800
1 0 1	115200

All other combinations=9600 baud

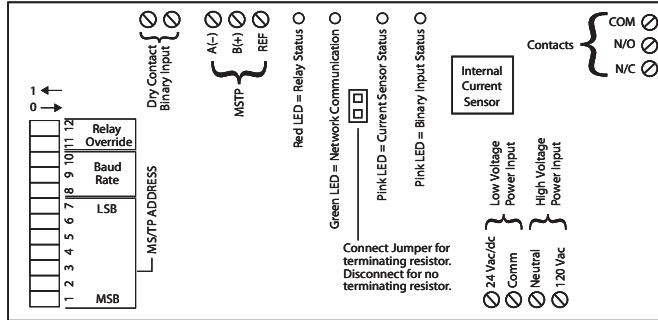
DIP Switches	Relay State*
11 12	
1 0	Auto
X 1	Activated
0 0	Deactivated

*Device must be powered for override

www.FunctionalDevices.com • 800.888.5538 • PICS available on our website.

FOR SUPPLY CONNECTIONS USE #12AWG WIRES OR LARGER RATED FOR AT LEAST 75°C(167°F).

CAUTION: RISK OF ELECTRIC SHOCK - MORE THAN ONE DISCONNECT MAY BE REQUIRED TO DEENERGIZE THE DEVICE BEFORE SERVICING.



CONTACT RATINGS

- 20A Resistive @ 277 Vac
- 20A Ballast @ 277 Vac
- 16A Elect. Ball. @ 277 Vac (N/O)
- 10A Tungsten @ 120 Vac (N/O)
- 1110 VA Pilot Duty @ 277 Vac
- 770 VA Pilot Duty @ 120 Vac
- 2 HP @ 277 Vac
- 1 HP @ 120 Vac

POWER INPUT RATINGS

- 24 Vac, 105mA Max
- 120 Vac, 105mA Max

CURRENT SENSE RANGE

- 0.25–20 Amps



- RIBMNWX2401B-BC
- RIBTWX2401B-BC

App. Version 1.1

DIP Switches	Baud Rate
8 9 10	
0 0 0	9600
0 0 1	19200
0 1 0	38400
0 1 1	57600
1 0 0	76800
1 0 1	115200

All other combinations=9600 baud

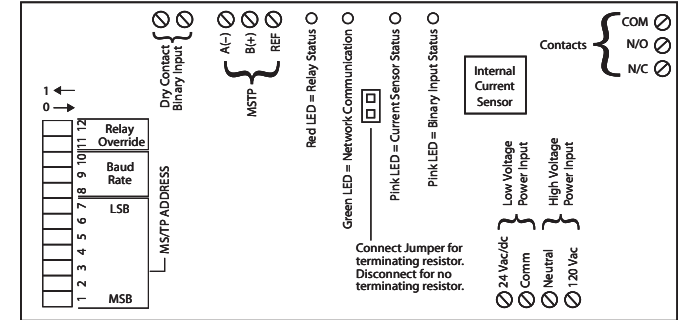
DIP Switches	Relay State*
11 12	
1 0	Auto
X 1	Activated
0 0	Deactivated

*Device must be powered for override

www.FunctionalDevices.com • 800.888.5538 • PICS available on our website.

FOR SUPPLY CONNECTIONS USE #12AWG WIRES OR LARGER RATED FOR AT LEAST 75°C(167°F).

CAUTION: RISK OF ELECTRIC SHOCK - MORE THAN ONE DISCONNECT MAY BE REQUIRED TO DEENERGIZE THE DEVICE BEFORE SERVICING.



CONTACT RATINGS

- 20A Resistive @ 277 Vac
- 20A Ballast @ 277 Vac
- 16A Elect. Ball. @ 277 Vac (N/O)
- 10A Tungsten @ 120 Vac (N/O)
- 1110 VA Pilot Duty @ 277 Vac
- 770 VA Pilot Duty @ 120 Vac
- 2 HP @ 277 Vac
- 1 HP @ 120 Vac

POWER INPUT RATINGS

- 24 Vac, 105mA Max
- 120 Vac, 105mA Max

CURRENT SENSE RANGE

- 0.25–20 Amps

