

## Closet Light Controller Selection Guide for Dual-Door Closets

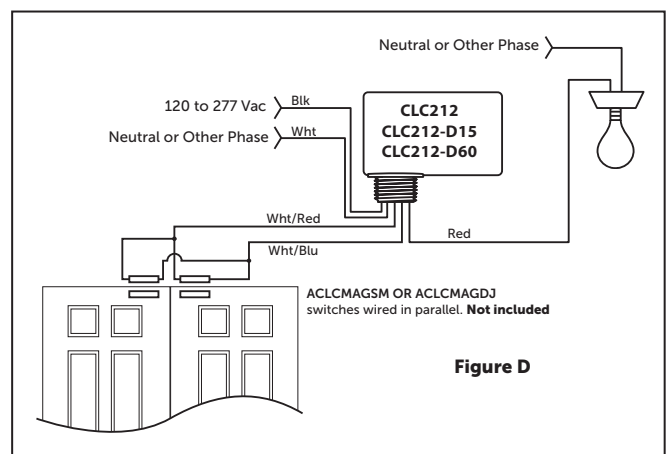
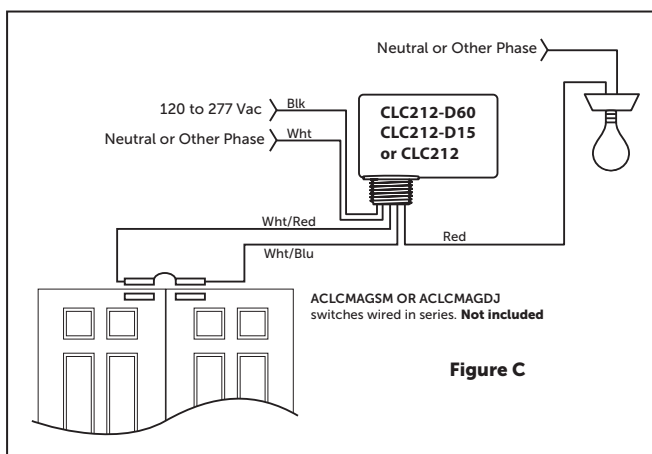
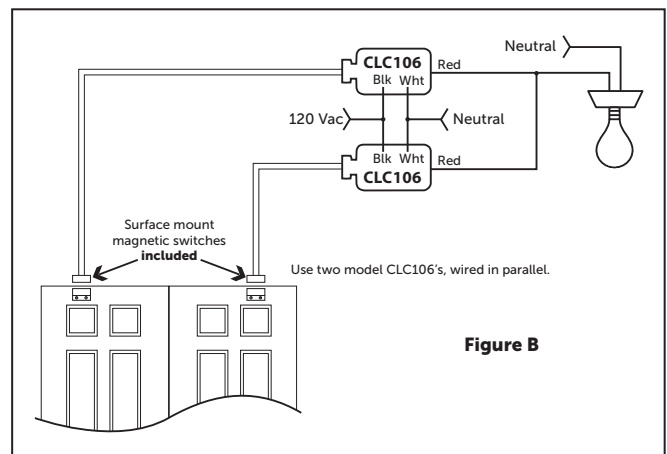
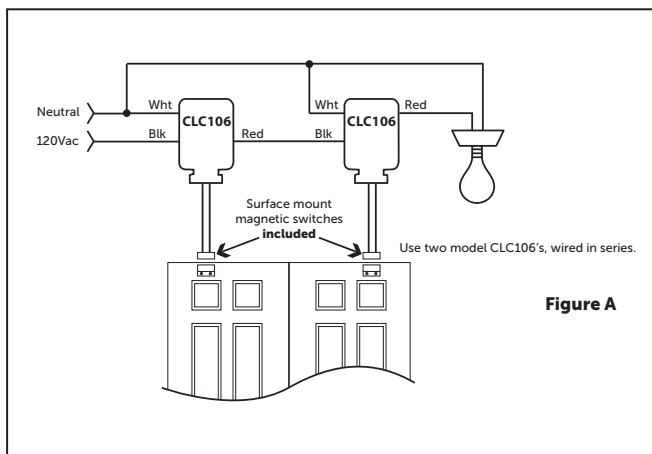
Voltage	Recommended Application	Functional Devices Model	Off Delay	Recommended Door Switches
120Vac	Retrofit	CLC106	None	1 Included
120 Vac - 277 Vac	New Construction	CLC212	None	ACLCMAGSM (N/C) or ACLCMAGDJ (N/C)
		CLC212-D15	15 min.	ACLCMAGSM (N/O) or ACLCMAGDJ (N/O)
		CLC212-D60	60 min.	ACLCMAGSM (N/O) or ACLCMAGDJ (N/O)

### Details for Required Door Switches

These controllers require at least one door switch (***sold separately***), which is installed on the closet door itself. We currently offer both surface mounted (**ACLCMAGSM**) and recessed mounted (**ACLCMAGDJ**) switches.

These door switches are **Form C** type switches, meaning they have a normally open (**N/O**) contact and normally closed (**N/C**) contact with a shared (**COM**) common. Functional Devices recommends this type of switch to provide options for differing applications.

**Always follow NEC® and local codes. Functional Devices, Inc. recommends adding a label on each device used in this application with the message: "WARNING – LOAD SIDE TERMINALS MAY BE ENERGIZED BY BACKFEED," similar to what is recommended in NEC® Article 404.6 (C) 2008.**





Functional Devices, Inc.  
101 Commerce Drive  
Sharpshville, IN 46068

Toll Free: (800) 888-5538  
Office: (765) 883-5538  
Fax: (765) 883-7505

Email: [sales@functionaldevices.com](mailto:sales@functionaldevices.com)  
Website: [www.functionaldevices.com](http://www.functionaldevices.com)

Functional Devices Model	Wiring Configuration	Operational "ON" Function	Operational "OFF" Function	Wiring Diagram
CLC106	1 contact per door, wired in series	All doors must be open to turn the light on	Any closed door will turn the light off	Fig. A
	1 contact per door, wired in parallel	Any open door will turn the light on	All doors must be closed to turn the light off	Fig. B
CLC212	1 contact per door, wired in series	All doors must be open to turn the light on	Any closed door will turn the light off	Fig. C
	1 contact per door, wired in parallel	Any open door will turn the light on	All doors must be closed to turn the light off	Fig. D
CLC212-D15 CLC212-D60	1 contact per door, wired in series	Any open door will turn the light on and begin the timing sequence	All doors must be closed to turn the light off and end the timing sequence	Fig. C
	1 contact per door, wired in parallel	All doors must be open to turn the light on and begin the timing sequence	Any closed door will turn the light off and end the timing sequence	Fig. D